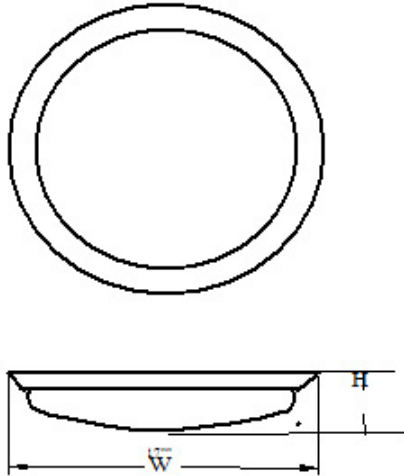


CATALOG NUMBERS

# SLC

# CEILING

CAT #	DIMENSIONS		LAMPING
	W	H	
SLC 14	13.5"	4"	two 13 W cfl
SLC 17	17"	5"	three 13 W cfl
SLC 22	22"	5"	four 13 W cfl



## ORDERING INFORMATION

cat #--- + finish--- - + lamping---- + voltage+---options

## TECHNICAL INFORMATION

BALLAST	MOUNTING	DIFFUSER	MATERIALS	FINISH	OPTIONS
Electronic 120 V Normal power factor	Mounts to all standard electrical junction boxes. All hardware included	Blow molded white translucent acrylic	Frame and wiring pan are heavy gauge cold rolled steel.	Painted finish to customer specification..	Emergency battery back up High power factor multi voltage ballast.

## FEATURES

Flattened acrylic bowl. Wide, bold beveled frame.



**LIGHTING SCULPTURES, INC**

66 North Industry Court, Deer Park, NY 11729 \* 631-242-3387 \* FAX 631-242-3461