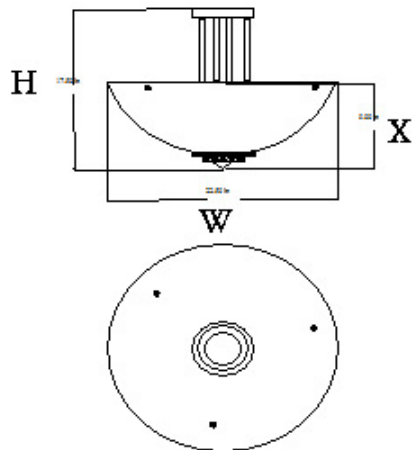


CATALOG NUMBERS

2205

PENDANTS

CAT #	DIMENSIONS			LAMPING
	W	H	X	
2205	22.5"	17.5"	9"	4 13W CFL



ORDERING INFORMATION

cat #--- finish--- - lamping--- voltage---options -----

TECHNICAL SPECIFICATIONS

BALLAST:	MOUNTING	FINISHES	OPTIONS
Electronic 120V	Mounts to all standard electrical outlet boxes' .Hardware supplied	All painted finishes Satin Aluminum	Faux alabaster diffuser Emergency back up

FEATURES

Stepped brushed aluminum bottom plate holds a jewel like acrylic tear drop type , frosted lens. Four stems hold the fixture to the brushed aluminum canopy.

UL LABELED FOR damp location-----made in USA



LIGHTING SCULPTURES, INC

66 North Industry Court, Deer Park, NY 11729 * 631-242-3387 * FAX 631-242-3461