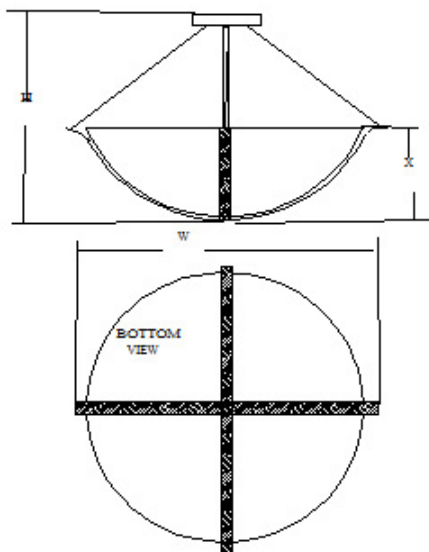


CATALOG NUMBERS

2215

PENDANTS

CAT #	DIMENSIONS			LAMPING
	W	H	X	
2215-28	28"	24"	8"	four 13W cfl
2215-36	36"	24"	10"	four 26W cfl



ORDERING INFORMATION

cat #--- finish--- - lamping--- voltage---options -----F

TECHNICAL SPECIFICATIONS

BALLAST:	MOUNTING	FINISHES	OPTIONS
Electronic 120V	Mounts to all standard electrical junction boxes.	All painted finishes SAL PAL SB PB	FAUX ALABASTER

FEATURES

HEAVY METAL BARS WITH DECORATIVE CURVED ENDS AND AIRCRAFT TYPE STAINLESS STEEL WIRE SUPPORT THE ACRYLIC TRANSLUCENT DIFFUSER.

UL LABELED FOR damp location-----made in USA



LIGHTING SCULPTURES, INC

66 North Industry Court, Deer Park, NY 11729 * 631-242-3387 * FAX 631-242-3461