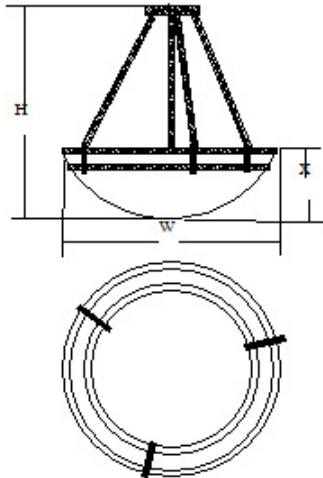


CAT #	DIMENSIONS			LAMPING
	W	H	X	
2217-24	24"	24"	8"	Four 13 W CFL
2214-36	36"	24"	10'	Four 26W CFL



**ORDERING INFORMATION**

cat #--- finish-- - lamping--- voltage---options -----

**TECHNICAL SPECIFICATIONS**

BALLAST:	MOUNTING	FINISHES	OPTIONS
Electronic 120 V	Mounts to all standard electrical junction boxes.	All painted finishes PAL <b>SAL</b> PB SB	Faux alabaster Other Height

**FEATURES**

"SCULPTURED" DECORATIVE SOLID METAL BRACKETS HOLD THE RINGS AND BOWL.

UL LABELED FOR damp location-----made in USA



**LIGHTING SCULPTURES, INC**

66 North Industry Court, Deer Park, NY 11729 \* 631-242-3387 \* FAX 631-242-3461