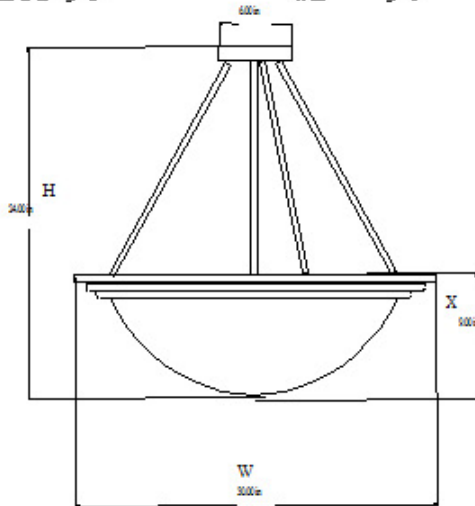


CAT #	DIMENSIONS			LAMPING
	W	H	X	
HBSF 18	24"	21"	7"	two 13 W CFL
HBSF 24	30"	24"	8"	three 13W CFL
HBSF 30	36"	27"	10"	four 13W CFL
HBSF 36	42"	30"	11"	four 26W CFL



ORDERING INFORMATION

cat #--- finish-- - lamping--- voltage---options -----

TECHNICAL SPECIFICATIONS

BALLAST:	MOUNTING	FINISHES	OPTIONS
Electronic 120 V	Mounts to all standard electrical junction boxes.	All painted finishes SAL PCR SCR PBR	Faux alabaster. Emergency back up. Single stem, Chain or wire support.

FEATURES

Gentle steps enhance the spun metal frame. Acrylic white bowl may also be had as faux alabaster or other decorative materials.

UL LABELED FOR damp location-----made in USA



LIGHTING SCULPTURES, INC

66 North Industry Court, Deer Park, NY 11729 * 631-242-3387 * FAX 631-242-3461