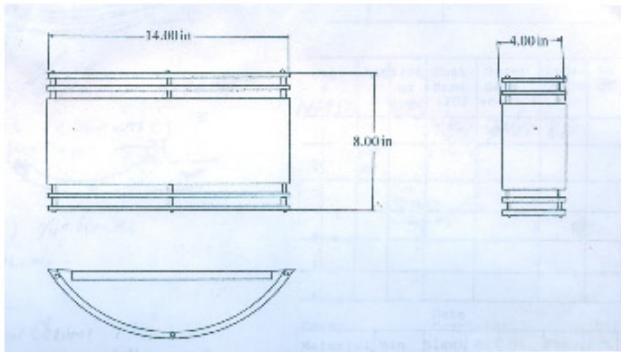


CATALOG NUMBERS

5034

# SCONCES

CAT #	DIMENSIONS			LAMPING
	W	H	D	
	14"	8"	4"	two PL 13



## ORDERING INFORMATION

cat #--- finish-- - lamping--- voltage----options -----

## TECHNICAL INFORMATION

BALLAST:	MOUNTING	FINISHES	OPTIONS
Magnetic	Mounts to all standard electrical boxes. Hardware supplied	All painted finishes	Cover top/bottom
N.P.F.		PCR SB PAL	Electronic ballast 13W or 26Watt
120 v		SCR AB SSS PB SAL SSP	Emergency back up

## FEATURES

Quarter inch thick solid aluminum bars are layered above and below fixture this gives it a layered look...Powder coated white backplate for maximum reflectivity.

UL LABELED FOR damp location-----made in USA



**LIGHTING SCULPTURES, INC**

66 North Industry Court, Deer Park, NY 11729 \* 631-242-3387 \* FAX 631-242-3461