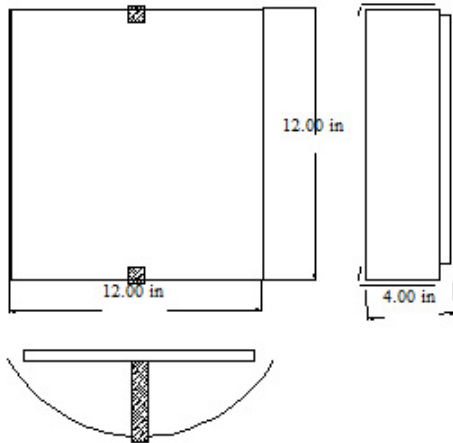


CATALOG NUMBERS

8818

SCONCES

CAT #	DIMENSIONS			LAMPING
	W	H	D	
8818	12"	12"	4"	For two 13 W CFL



ORDERING INFORMATION

cat #--- finish-- - lamping--- voltage---options -----

TECHNICAL SPECIFICATIONS

BALLAST	MOUNTING	FINISHES (clips)	OPTIONS
Magnetic 120V	Mounts to all standard electrical junction boxes. Hardware included	All painted finishes PCR SB PAL SCR AB SSS PB SAL SSP	Faux alabaster Emergency back up

FEATURES

Diffuser is 1/8" thick translucent white acrylic, heat formed to arc shape. Decorative holder clips are of heavy gauge metal and can be ordered in many finishes. Back plate is highly reflective gloss white on aluminum.

UL LABELED FOR damp location-----made in USA



LIGHTING SCULPTURES, INC

66 North Industry Court, Deer Park, NY 11729 * 631-242-3387 * FAX 631-242-3461